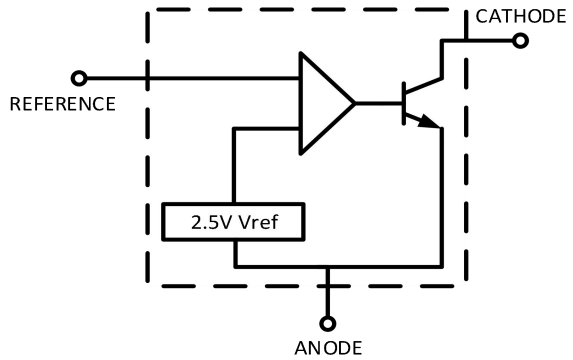


## GT431/GT432 Precision Programmable Reference

1 Features	2 Application
<ul style="list-style-type: none"> <li>- Reference voltage tolerance 0.5% at 25°C</li> <li>- Programmable output voltage to 36V</li> <li>- Low dynamic output impedance 0.2Ω</li> <li>- Sink current capability of 1mA to 100mA</li> <li>- Equivalent full-range temperature coefficient of 100ppm/°C maximum</li> <li>- Temperature compensated for operation over full rated operating temperature range</li> <li>- Low output noise voltage</li> <li>- Fast turn on response</li> <li>- Operation from -40°C to 125°C</li> <li>- Lead-Free packages: SOT23</li> </ul>	<ul style="list-style-type: none"> <li>- Adjustable voltage and current referencing</li> <li>- Power supply</li> <li>- Zener replacement</li> <li>- Voltage monitoring</li> <li>- Comparator with integrated reference</li> <li>- As precision voltage reference</li> </ul>

3 Description	Circuit Diagram
<p>The GT431 and GT432 device are three-terminal adjustable shunt regulators, with a guaranteed thermal stability over applicable temperature ranges. The output voltage can be set to any value between VREF (approximately 2.5V) and 36V with two external resistors. These devices provide a very sharp turn-on characteristic, making these devices excellent replacement for Zener diodes in many applications. Both the GT431 and GT432 devices are specified with an initial tolerance of 0.5% at 25°C.</p>	

## 4 Device Summary, Pin and Packages

Table. 4-1. Device Summary<sup>(1)</sup>

Serial Name	Part Name	Package	Body Size (Nom)	Marking <sup>(2)</sup>	MSL <sup>(3)</sup>	Package Qty
GT431	GT431S3	SOT23(3)	2.90mm×1.30mm×1.10mm	GT431 XXXX	3	Tape and Reel,3000
GT432	GT432S3	SOT23(3)	2.90mm×1.30mm×1.10mm	GT432 XXXX	3	Tape and Reel,3000

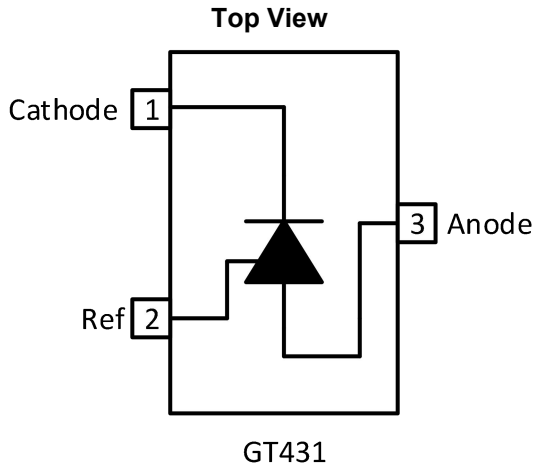
(1) For all available packages, please contact product sales.

(2) There may be additional marking, which relates to the lot trace code information (data code and vendor code), the logo or the environmental category on the device.

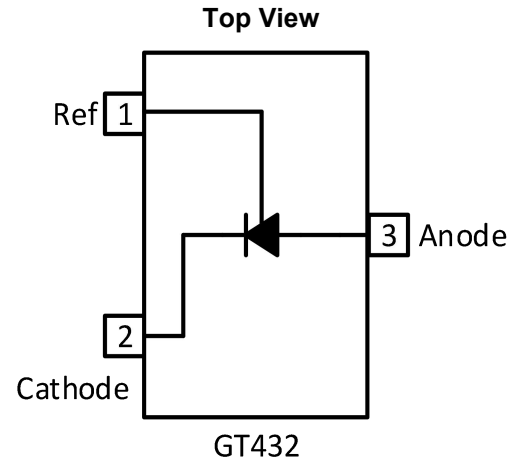
(3) MSL, The Moisture Sensitivity Level rating according to the JEDEC industry standard classifications.

(4) "XXXXX" in Marking will be appeared as the batch code.

## 4 Device Summary, Pin and Packages(Continued)



**Fig.4-1. GT431: SOT23(3) Package**



**Fig.4-2. GT432: SOT23(3) Package**

**Table. 4-2. Pin Definition**

Name	Pin		I/O	Description
	GT431	GT432		
Cathode	1	2	I	Shunt Current/Voltage input
Ref	2	1	O	Threshold relative to common anode
Anode	3	3	-	Common pin, normally connected to ground

\* It is suggested to leave the unconnected pins floating.

## 5 Voltage, Temperature, ESD and Thermal Ratings

### 5.1 Absolute Maximum Ratings<sup>(1) (2)</sup>

Parameters	Symbol	Min.	Max.	Unit
Cathode Voltage	$V_{KA}$	-0.3	40	V
Cathode Current Range(Continuous)	$I_{KA}$	-100	+150	mA
Reference Input Current Range	$I_{REF}$	-0.05	+10	mA
Operating temperature	$T_{opr}$	-40	+125	°C
Power Dissipation	$P_D$	370		mW
Storage temperature	$T_{stg}$	-65	150	°C

(1) Stresses beyond those listed under Absolute Maximum Ratings may cause permanent damage to the device. These are stress ratings only, and functional operation of the device at these or any other conditions beyond those indicate under Recommended Operating Conditions is not implied. Exposure to absolute-maximum-rated conditions for extended periods may affect device reliability.

(2) All voltages are with respect to the GND pin.

### 5.2 ESD Ratings

ESD		Value	Unit	
V(ESD)	Electrostatic discharge	Human-Body Model (HBM)	4000	V
		Charged-Device Model (CDM)	1000	V

### 5.3 Recommended Operating Conditions

Over operating free-air temperature range (unless otherwise noted)

Symbol	Parameters	Min.	Max.	Unit
VKA	Cathode Voltage	VREF	36	V
IKA	Cathode Current Range(Continuous)	0.15	100	mA
TA	Operating Ambient Temperature Range	-40	+125	°C

### 5.4 Thermal Information

THERMAL METRIC		GT431/GT432	Unit
$R_{\theta JA}$	Junction-to-ambient thermal resistance	185.6	°C/W
$R_{\theta JC(top)}$	Junction-to-case(top) thermal resistance	104.3	°C/W
$R_{\theta JB}$	Junction-to-board thermal resistance	54.5	°C/W
$\psi_{JT}$	Junction-to-top characterization parameter	31.0	°C/W
$\psi_{JB}$	Junction-to-board characterization parameter	54.5	°C/W
$R_{JC(bot)}$	Junction-to-case(bottom) thermal resistance	N/A	°C/W

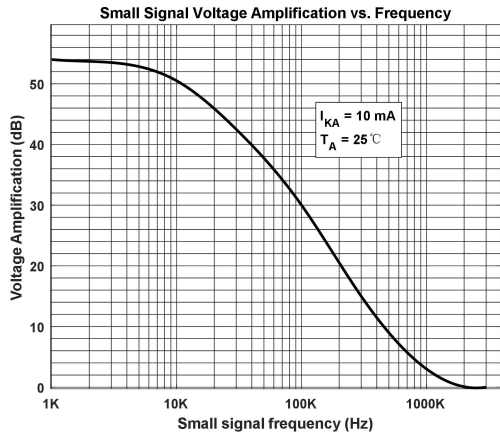
## 6 Electrical Specifications

Over recommended operating conditions, FULL=-40°C to +125°C, Typical values are at TA=+25°C. (unless otherwise noted)

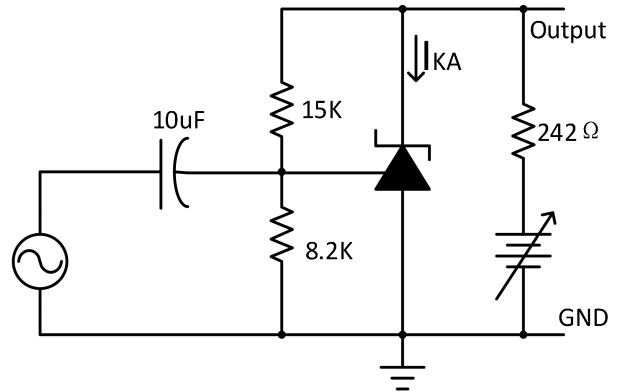
Parameters	Symbol	Conditions		Min.	Typ.	Max.	Unit
Reference Input Voltage	$V_{REF}$	$V_{KA}=V_{REF}, I_{KA}=10mA$	0.5%	2.488	2.500	2.513	V
Deviation of reference Input Voltage Over temperature	$\Delta V_{REF}$	$V_{KA}=V_{REF}, I_{KA}=10mA$ $T_{min} \leq T_A \leq T_{max}$		-	20	40	mV
Ratio of Change in Reference Input Voltage to the Change In Cathode Voltage	$\Delta V_{REF} / \Delta V_{KA}$	$I_{KA}=10mA$	$\Delta V_{KA}=10V$ to $V_{REF}$	-	-1.0	-2.7	mV/V
			$\Delta V_{KA}=36V$ to 10V	-	-0.5	-2.0	
Reference Input Current	$I_{REF}$	$I_{KA}=10mA, R1=10k\Omega, R2=\infty$		-	0.7	4	$\mu A$
Deviation of Reference Input Current Over Full Temperature Range	$\Delta I_{REF} / \Delta T_A$	$I_{KA}=10mA, R1=10k\Omega, R2=\infty$ $T_A=full$ Temperature		-	0.4	1.2	$\mu A$
Minimum cathode current for regulation	$I_{KA}(min)$	$V_{KA}=V_{REF}$		-	0.15	0.3	mA
Off-state cathode Current	$I_{KA}(OFF)$	$V_{KA}=36V, V_{REF}=0V$		-	0.1	0.5	$\mu A$
Dynamic Impedance	$Z_{KA}$	$V_{KA}=V_{REF}, I_{KA}=1$ to 100mA $f \leq 1.0KHz$		-	0.2	0.5	$\Omega$

## 7 Typical Characteristics

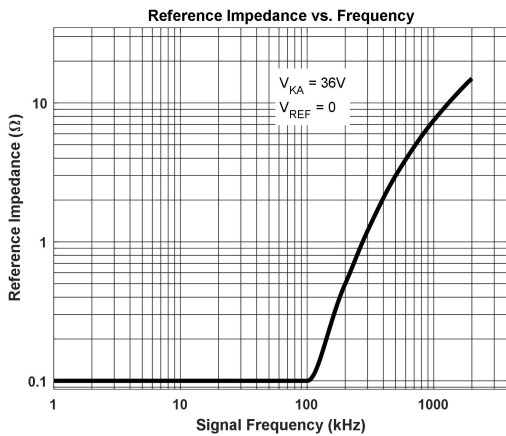
(Over recommended operating conditions, FULL = -40°C to +125°C, Typical values are at TA = +25°C, unless otherwise noted)



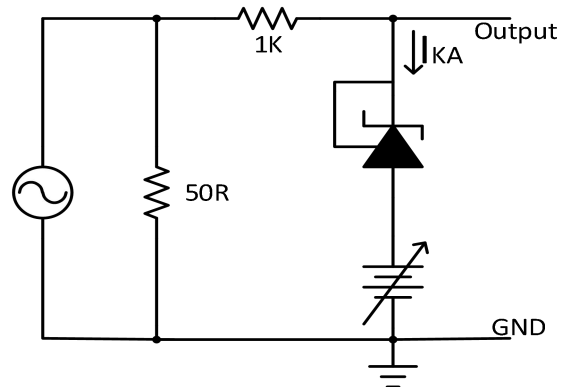
**Fig.7-1. Small signal frequency response**



**Fig.7-2. Small signal frequency response test circuit**



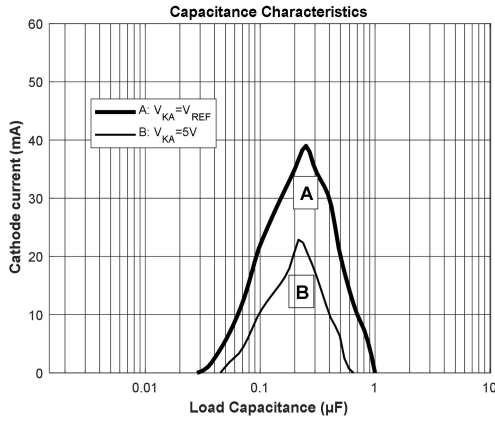
**Fig.7-3. Reference impedance**



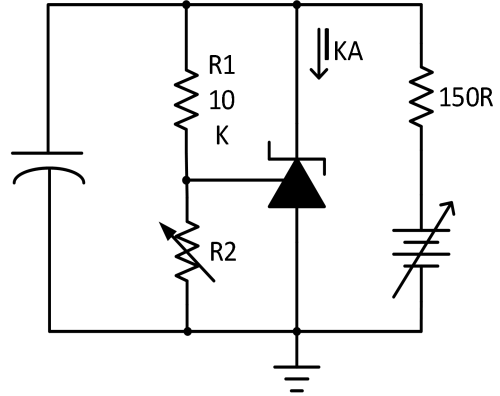
**Fig.7-4. Reference impedance test circuit**

### 7 Typical Characteristics(Continued)

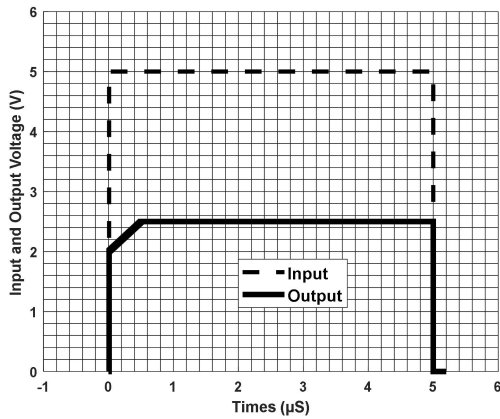
(Over recommended operating conditions, FULL=−40°C to +125°C, Typical values are at TA=+25°C, unless otherwise noted)



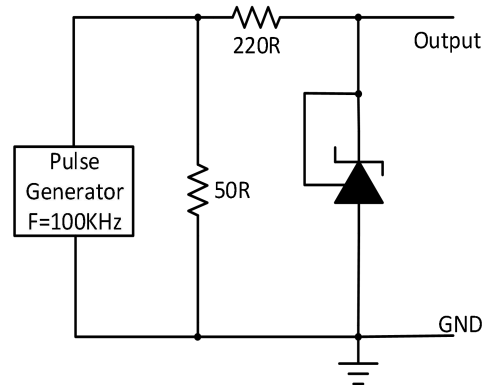
**Fig.7-5. Capacitance characteristics**



**Fig.7-6. Capacitance characteristics test circuit**



**Fig.7-7. Power-on and power-off response**



**Fig.7-8. Power-on and power-off response test circuit**

---

## 8 Detailed Description

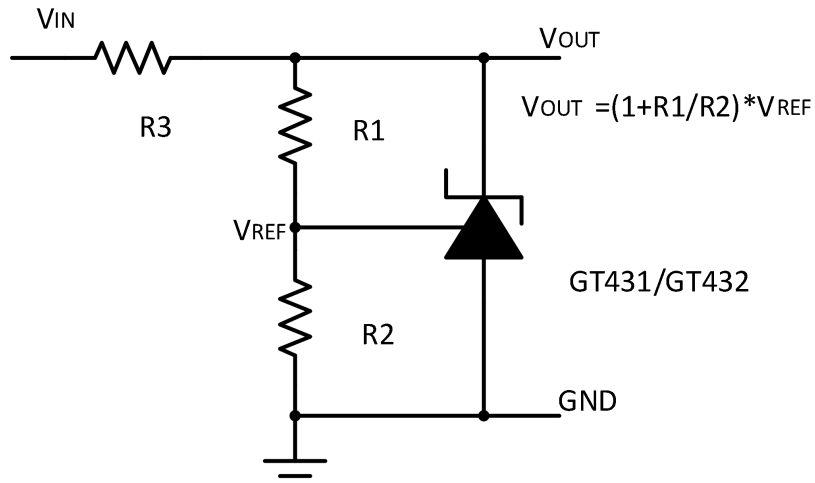
### 8.1 Overview

This standard component has been widely adopted in various applications, from power supplies to signal paths. It integrates crucial elements, such as a precision voltage reference and an operational amplifier, which are essential analog building blocks. When combined with its key components, the GT431/GT432 family can be set up as a standalone voltage reference, error amplifier, voltage clamp, or comparator with an integrated reference.

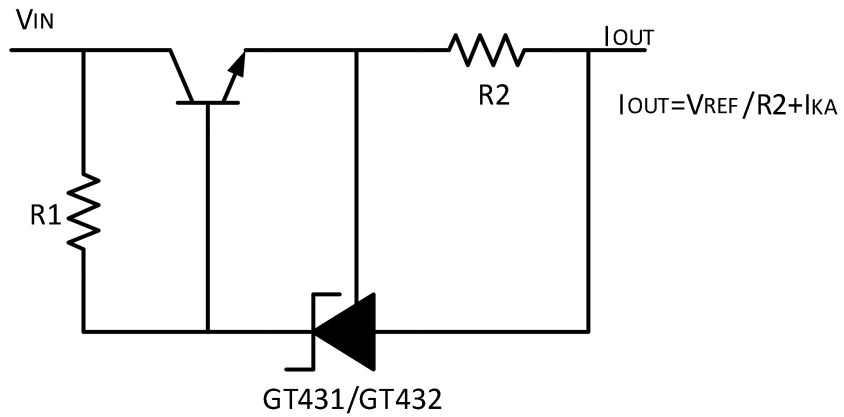
### 8.2 Feature Description

The GT431/GT432 can operate with cathode voltages adjustable within a range of 2.5V to 36V. It is optimized for end-equipment applications in industrial, automotive, telecommunications, and computing systems. When used as a shunt regulator or error amplifier, a minimum cathode current greater than 0.3 mA ( $I_{min(max)}$ ) must be ensured. In these configurations, the feedback between the cathode and reference pins allows the replication of the internal reference voltage. The operating temperature range of the GT431 device is from  $-40^{\circ}\text{C}$  to  $125^{\circ}\text{C}$ .

**9 Application Note**

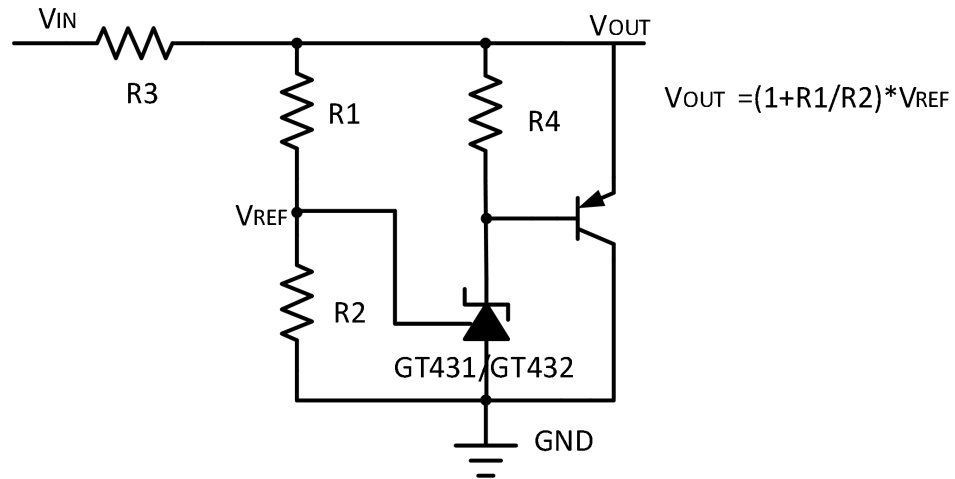


**Fig.9-1. Shunt Regulator**

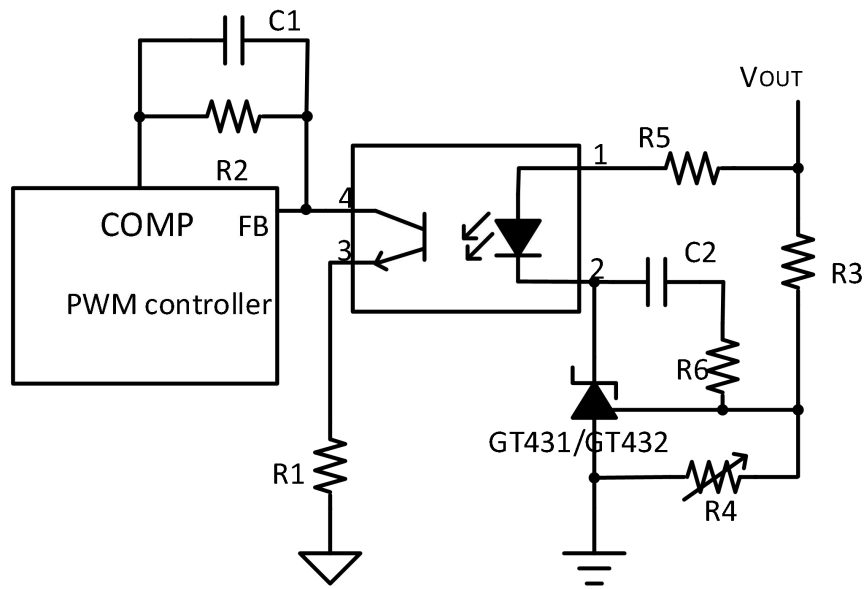


**Fig.9-2. Current Source or Current Limit**

**9 Application Note(Continued)**

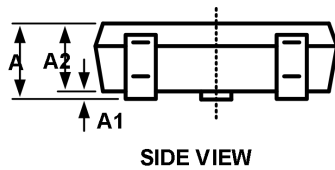
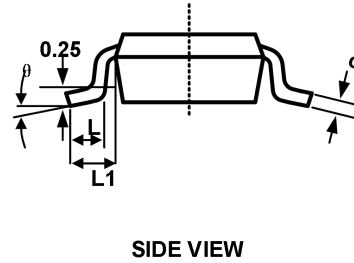
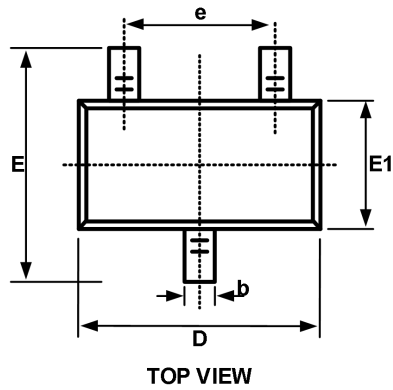


**Fig.9-3. High Current Shunt Regulator**



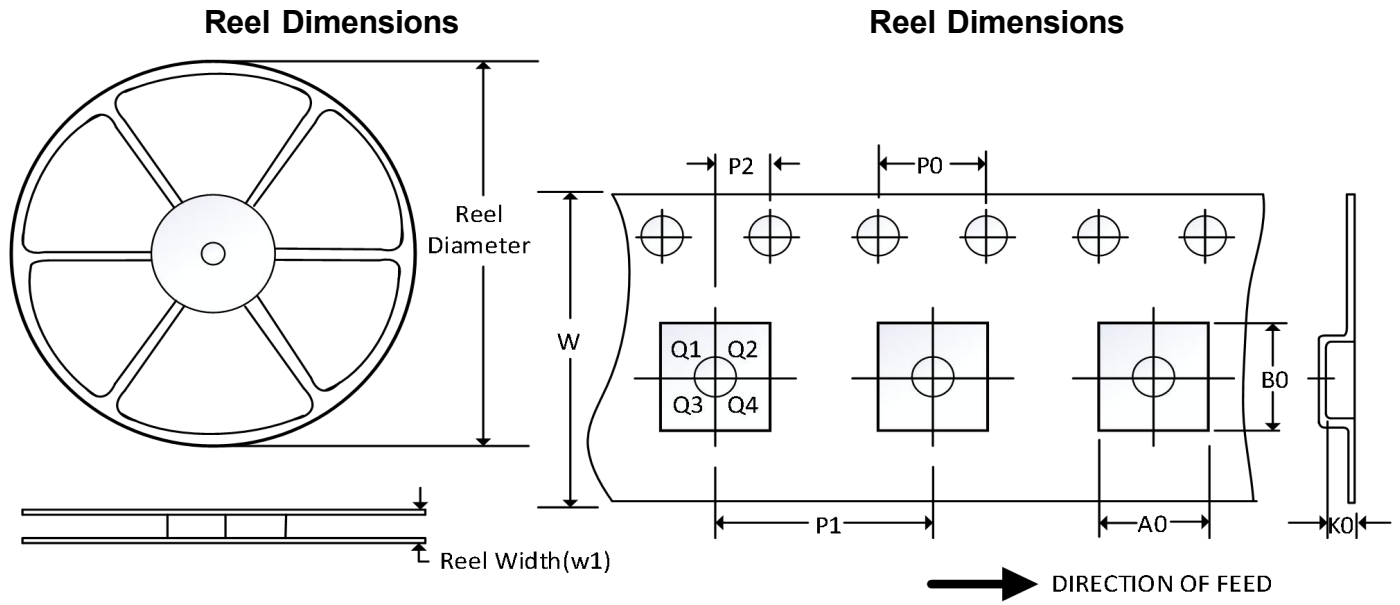
**Fig.9-4. PWM Converter with Reference**

# 10 Package Outline Dimension

**SOT23-3**

**Recommended Land Pattern (Unit: mm)**

Symbol	Dimensions in Millimeters		Dimensions in Inches	
	Min.	Max.	Min.	Max.
A	1.050	1.250	0.041	0.049
A1	0.000	0.100	0.000	0.004
A2	0.900	1.100	0.035	0.043
b	0.300	0.500	0.012	0.020
c	0.132	0.202	0.005	0.008
D	2.800	3.000	0.110	0.118
E	2.250	2.550	0.089	0.100
E1	1.200	1.400	0.047	0.055
e	1.800	2.000	0.071	0.079
L	0.300	0.500	0.012	0.020
L1	0.550 REF		0.022 REF	
$\theta$	0°	8°	0°	8°

### 11 Tape and Reel Information



NOTE: The picture is only for reference. Please make the object as the standard.

#### Key Parameter List of Tape and Reel

Package Type	Reel Diameter	Reel Width (mm)	A0 (mm)	B0 (mm)	K0 (mm)	P0 (mm)	P1 (mm)	P2 (mm)	W (mm)	Pin1 Quadrant
SOT23-3	7"	9.5	3.20	3.20	1.40	4.0	4.0	2.0	8.0	Q3

NOTE:

1. All dimensions are nominal.
2. Plastic or metal protrusions of 0.15mm maximum per side are not included.